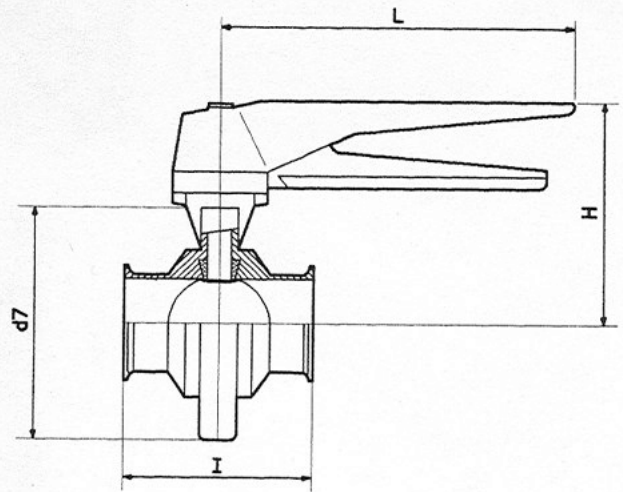


## VALVES

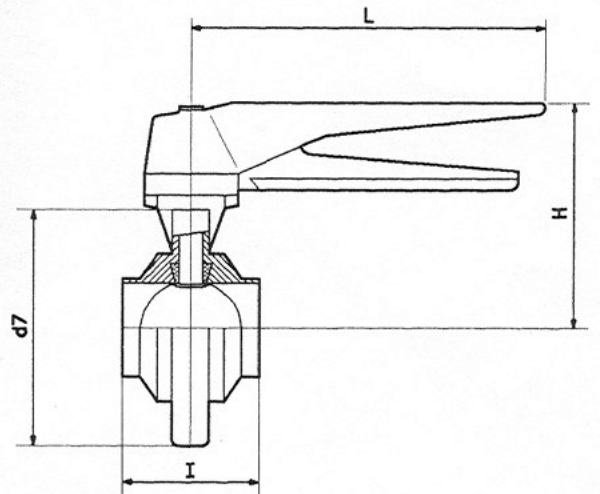
### BUTTERFLY VALVE CLAMP

| DN    | d7  | H   | I   | L   |
|-------|-----|-----|-----|-----|
| 1 "   | 87  | 90  | 64  | 150 |
| 1 ½ " | 97  | 95  | 72  | 150 |
| 2 "   | 110 | 100 | 72  | 150 |
| 2 ½ " | 112 | 102 | 76  | 150 |
| 3 "   | 127 | 110 | 76  | 150 |
| 4 "   | 162 | 128 | 104 | 150 |



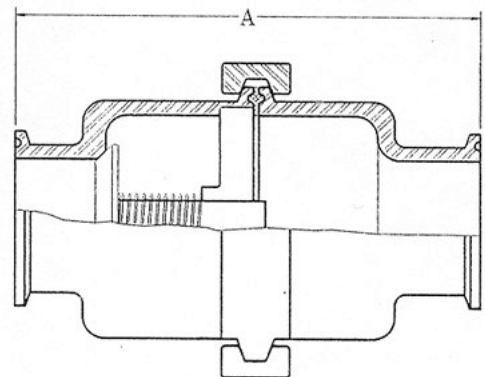
### BUTTERFLY VALVE ON INCH DIMENSIONS S/S

| DN    | d2  | H   | I  | L   |
|-------|-----|-----|----|-----|
| 1 "   | 87  | 90  | 40 | 150 |
| 1 ½ " | 97  | 95  | 50 | 150 |
| 2 "   | 110 | 100 | 50 | 150 |
| 2 ½ " | 112 | 102 | 50 | 150 |
| 3 "   | 127 | 110 | 50 | 150 |
| 4 "   | 162 | 128 | 64 | 150 |



### P45H - CHECK VALVES \*

| SIZE<br>(TUBE O.D.) | A             |                |              | APPROX.<br>WT. (lbs.) |
|---------------------|---------------|----------------|--------------|-----------------------|
|                     | Kwik<br>Clamp | ACME<br>Thread | Butt<br>Weld |                       |
| ½                   | 4.313         | N/A            | 4.313        | 1.75                  |
| ¾                   | 4.313         | N/A            | 4.313        | 1.75                  |
| 1                   | 5.125         | 6.500          | 5.125        | 2.70                  |
| 1 ½                 | 5.125         | 6.563          | 5.125        | 3.20                  |
| 2                   | 5.063         | 6.500          | 5.063        | 4.20                  |
| 2 ½                 | 6.266         | 7.953          | 6.266        | 5.20                  |
| 3                   | 6.125         | 7.938          | 6.125        | 7.00                  |
| 4                   | 6.938         | 9.375          | 6.938        | 10.00                 |



(Kwik Clamp End Connection shown)

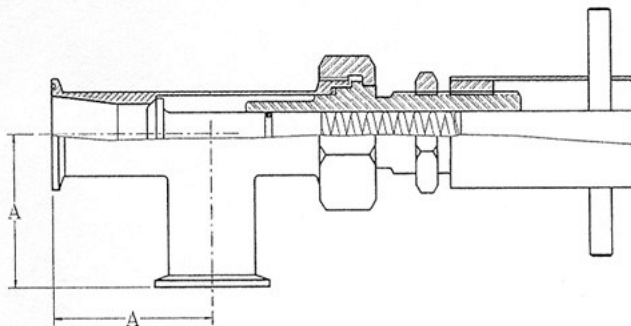
\* Check Valves are available in any type of End Connections

## VALVES

### PD60RT - RELIEF VALVES

| SIZE<br>(TUBE O.D.) | A             |                | APPROX.<br>WT. (lbs.) |
|---------------------|---------------|----------------|-----------------------|
|                     | Kwik<br>Clamp | ACME<br>Thread |                       |
| ¾                   | 2.375         | N/A            | 4.00                  |
| 1                   | 2.375         | 1.813          | 4.50                  |
| 1 ½                 | 2.750         | 2.375          | 5.00                  |
| 2                   | 3.500         | 2.781          | 6.50                  |
| 2 ½                 | 3.500         | 3.188          | 9.00                  |
| 3                   | 3.750         | 3.500          | 11.00                 |

(Kwik Clamp End Connection shown)

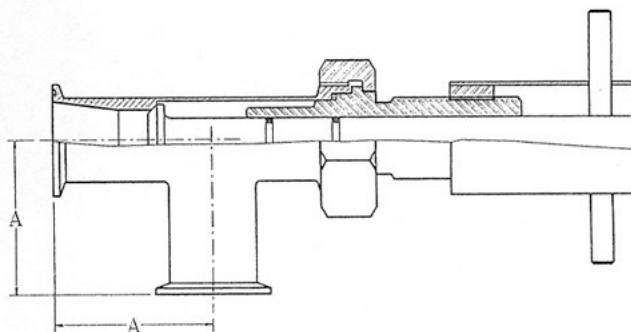


### PD60TM - COMPRESSION VALVES

| SIZE<br>(TUBE O.D.) | A             |                | APPROX.<br>WT. (lbs.) |
|---------------------|---------------|----------------|-----------------------|
|                     | Kwik<br>Clamp | ACME<br>Thread |                       |
| ¾                   | 2.375         | N/A            | 4.00                  |
| 1                   | 2.375         | 1.813          | 4.50                  |
| 1 ½                 | 2.750         | 2.375          | 5.00                  |
| 2                   | 3.500         | 2.781          | 6.50                  |
| 2 ½                 | 3.500         | 3.188          | 9.00                  |
| 3                   | 3.750         | 3.500          | 11.00                 |

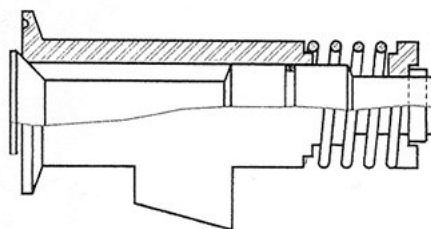
(Kwik Clamp End Connection shown)

Note: Other style connections available upon request



### PC30S - SAMPLE VALVE

| SIZE<br>(TUBE O.D.) | APPROX.<br>WT. (lbs.) |
|---------------------|-----------------------|
| 1                   | 1.20                  |
| 1 ½                 | 1.20                  |



### P169 - VACUUM VALVE

| SIZE<br>(TUBE O.D.) | APPROX.<br>WT. (lbs.) |
|---------------------|-----------------------|
| 2                   | 1.50                  |
| 3                   | 2.30                  |

(Available in other style connections upon request)

