

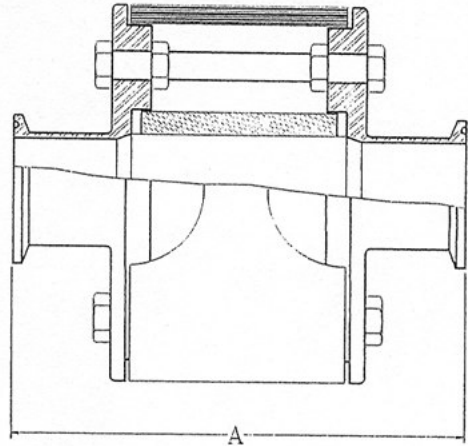
**SIGHT GLASS**

**P162S - SHIELDED \* INLINE SIGHT GLASS OBSERVER**

SIZE (TUBE O.D.)	A			APPROX. WT. (lbs.)
	Kwik Clamp	ACME Thread	Butt Weld	
1	5.750	6.250	5.750	4.50
1 ½	5.750	6.500	5.750	5.40
2	5.750	6.500	5.750	7.50
2 ½	7.250	8.500	7.250	10.80
3	7.250	8.500	7.250	12.90
4	7.250	8.500	7.250	18.50

(Kwik Clamp End Connection shown)

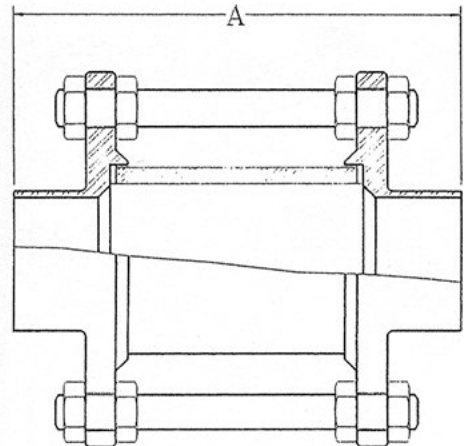
\* Acrylic Shield



**P162 - INLINE SIGHT GLASS OBSERVER**

SIZE (TUBE O.D.)	A			APPROX. WT. (lbs.)
	Kwik Clamp	ACME Thread	Butt Weld	
1	5.625	6.125	5.625	2.60
1 ½	5.625	6.375	5.625	3.50
2	5.625	6.375	5.625	5.40
2 ½	6.125	7.375	6.125	6.10
3	7.250	8.500	7.250	8.20
4	7.375	8.625	7.375	14.00

(Butt Weld End Connection shown)



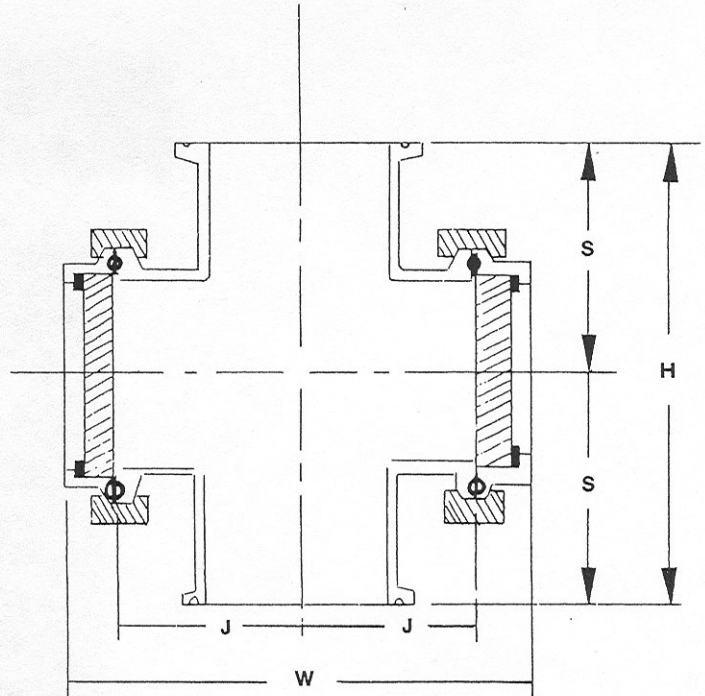
**NOTE: PYREX Glass used in both models**

**SIGHT GLASS**

MODEL CD54

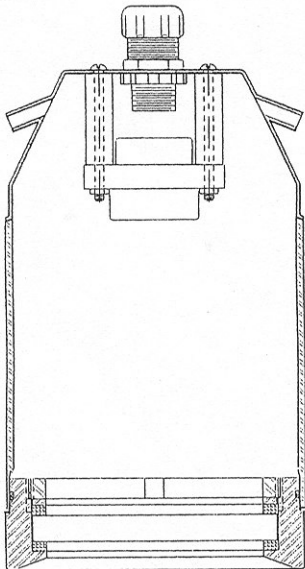
SIGHT GLASS ASSEMBLY DIMENSIONS

SIZE	H	W	J	S
1 ½	5.50	4.625	1.750	2.750
2	7.00	4.625	1.750	3.500
2 ½	7.00	6.500	2.130	3.500
3	7.50	6.125	2.250	3.750
4	9.00	7.625	2.750	4.500



**P165SP - WELD-IN FLUSH TYPE  
 LIGHT FIXTURE**

APPROX. WT. (lbs.)
12.00



**P60ARV - AIR ELIMINATOR**

CONNECTION SIZE	APPROX. WT. (lbs.)
1	2.50
2	2.65
2 ½	2.80
3	3.35
4	3.70

